

**BROWNING AS61 / AS61A / AS62 / AS62A / AS64 / AS64A**

**SPECIFICATIONS :**

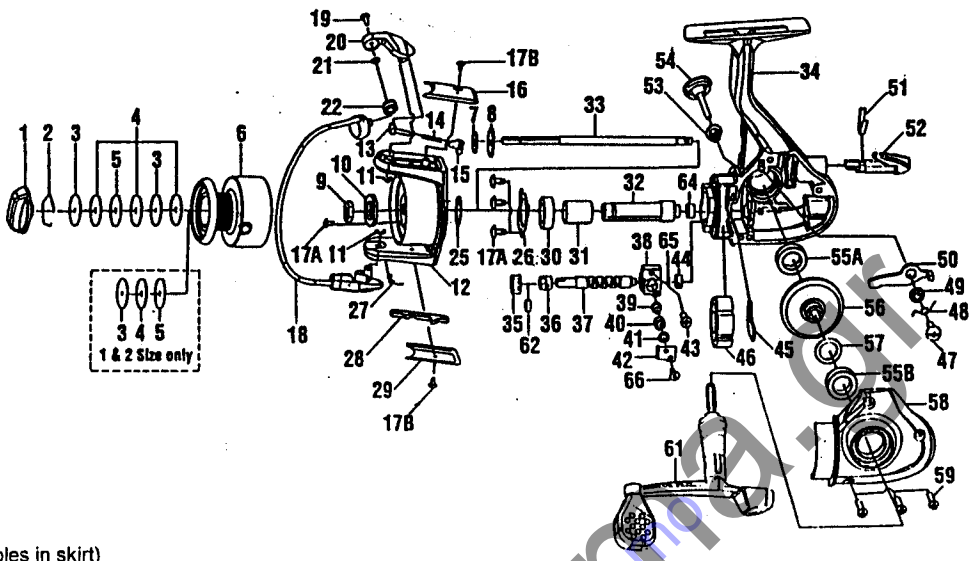
Line Capacity:  
 AS61 - 140 yds / 4 lb  
 AS62 - 120 yds / 8 lb  
 AS64 - 200 yds / 10 lb

5.8:1 Gear Ratio  
 Retrieve Rate (IPT):  
 AS61 - 25" per turn  
 AS62 - 27" per turn  
 AS64 - 30" per turn

Weight:  
 AS61 - 10.6 oz.  
 AS62 - 10.8 oz.  
 AS64 - 13 oz.  
 Bearings: 5 BB; 1 RB

**FEATURES :**

- Front Drag
- Tru-Balanced Rotor
- Balanced Handle
- Twist Reducer Line Roller
- Selective Continuous A/R
- Worm Gear Oscillation
- Alum. Spool ("A" models have holes in skirt)
- Color: Black



Key No.	AS61/A	AS62/A	AS64/A	Description	Price	Key No.	AS61/A	AS62/A	AS64/A	Description	Price
1	FH332-04	←	GH332-04	Drag Knob	2.97	35	FH200-01	←	GH200-01	Level Wind Gear	1.70
2	AQ038-01	←	←	Drag Retainer	0.32	36	GH202-01	←	←	Wm Shft Bushng (L)	0.31
3	TU080-01	←	←	Drag Washer "D"	1.16	37	FH201-01	←	TU201-01	Worm Shaft	2.44
4	GH033-01	←	←	Drag Washer "B"	2.68	38▲	ZQ204-01	←	←	Pawl Holder	3.25
5	TU081-01	←	←	Drag Washer "A"	1.18	39	TU207-01	←	←	Pawl	2.71
6	ZQ321-05	FH321-05	GH321-05	Spool Asy.	7.21	40	UQ208-03	←	←	Pawl Collar	0.32
6▼	ZQ321-10	FH321-10	GH321-11	Spool Asy. w/ holes	7.21	41▲	RU209-01	←	←	Pawl Washer	0.31
7	TU030-01	←	←	Click Gear Washer	0.96	42▲	FH205-01	←	←	Pawl Holder Retainer	1.18
8	TU037-01	←	←	Click Gear Washer	1.22	43	UQ100-03	←	←	Main Shaft Screw	0.41
9	RU006-01	←	←	Rotor Nut	0.93	44	GH203-01	←	←	Wm Shft Bushng (Rt.)	0.32
10	TL065-01	←	←	Rotor "D" Washer	1.16	45	TU206-01	←	←	Worm Shaft Retainer	1.60
11	GH034-01	←	←	E-Clip	0.32	▲46	GH074-01	←	←	Clutch Bearing	11.03
12	ZQ009-05	FH009-05	GH009-05	Rotor	7.85	46	RU074-01	→→→	Use GH074-01 (clutch bearing) & TU052-01 (bearing sleeve)		
13	QL031-01	←	←	Bail Spring Shaft	0.27	47	GH077-01	←	←	A/R Pawl Screw	0.32
14	KQ049-05	←	←	Bail Spring	0.32	48	TU061-01	←	←	A/R Pawl Spring	0.32
15	QL020-01	←	←	Bail Spring Holder	0.32	49	TU091-01	←	←	A/R Pawl Post	1.16
16	ZQ087-05	FH087-05	GH087-05	Arm Lvr Spring Cvr	2.67	50	RU063-01	←	←	A/R Pawl	1.22
17	UQ057-01	←	←	Screw	0.32	51	GH089-01	←	←	A/R Lever Spring	1.22
18	ZQ347-05	FH347-05	GH347-05	Bail Assy.	3.92	52	GH090-01	←	←	A/R Lever	2.58
19	AQ108-01	←	←	Line Slider Screw	0.31	52▼	ZQ090-01	←	←	A/R Lever	2.58
20	ZQ007-05	←	GH007-05	Arm Lever	2.39	53	RU105-01	←	←	Handle Cap Washer	0.50
21	GU105-25	←	←	Line Roller Washer	0.32	54	ZQ073-01	←	←	Handle Cap Screw	1.75
22	TU004-02	←	←	L/Roller w/Bearing	6.90	55A	BL157-01	←	N/A	Ball Bearing (Body)	5.57
25	GU105-12	←	←	Rotor Washer	0.32	55B	BL157-01	←	←	B. Bearing (Body Cvr)	5.57
26	N/A	N/A	TU040-02	Bearing Plate	1.10	56	FH012-01	←	GH012-01	Drive Gear	1.11
27	GH049-01	←	←	Kick Lever Spring	0.32	57	GU105-13	←	←	Adjust Washer	0.66
28	ZQ019-01	←	TU019-01	Kick Lever	1.11	58	FH023-10	FH023-09	GH023-05	Side Cover	5.41
29	ZQ024-05	FH024-05	GH024-05	Kick Lever Cover	2.76	58▼	ZQ023-07	←	UU023-04	Side Cover	5.41
30	BL157-01	←	UK028-01	Pinion Ball Bearing	5.57	59	KQ057-01	←	←	Side Cover Screws	0.32
▲31	TU052-01	←	←	Bearing Sleeve	2.76	61	FH318-04	←	GH318-02	Handle Asy.	11.77
31	RU139-01	→→→	Use TU052-01 (bearing sleeve) & GH074-01 (clutch bearing)			61▼	ZQ318-03	←	UU318-03	Handle Asy.	11.77
32	FH011-01	←	GH011-01	Pinion Gear	3.55	62	GH212-01	←	←	Worm Shaft Collar	1.16
33	FH015-01	←	TU015-01	Main Shaft	2.60	64▼	RU141-01	←	←	Pinion Bushing	1.60
34	FH301-10	FH301-09	GH301-05	Body Assy.	13.74	65▼	GU105-31	←	←	Worm Shaft Washer	0.32
34▼	ZQ001-07	←	UU001-04	Body Assy.	13.74	66▼	GH123-01	←	←	Plate Screw	0.93

▼ = Special parts for AS6xA models.

△ = Send Key No.'s 38, 41, 42, and 66 if any of these are ordered.

□ = Send Key No.'s 53, 54, and 61 if either part is ordered.

▲ = Both parts must be shipped together if either one is ordered.

MODEL INTRODUCED : 1998	EFFECTIVE DATE OF PARTS LIST/DIAGRAM: Sept. '98	DISCONTINUED : N/A
-------------------------	---	--------------------

Prices subject to change without notice. Prices do not include postage and handling.  
 PLEASE ORDER BY PART NUMBER Zebco, P.O. Box 270, Tulsa, Ok. 74101; 918-831-6965 Phone or 800-FIXREEL (349-7335) FAX

