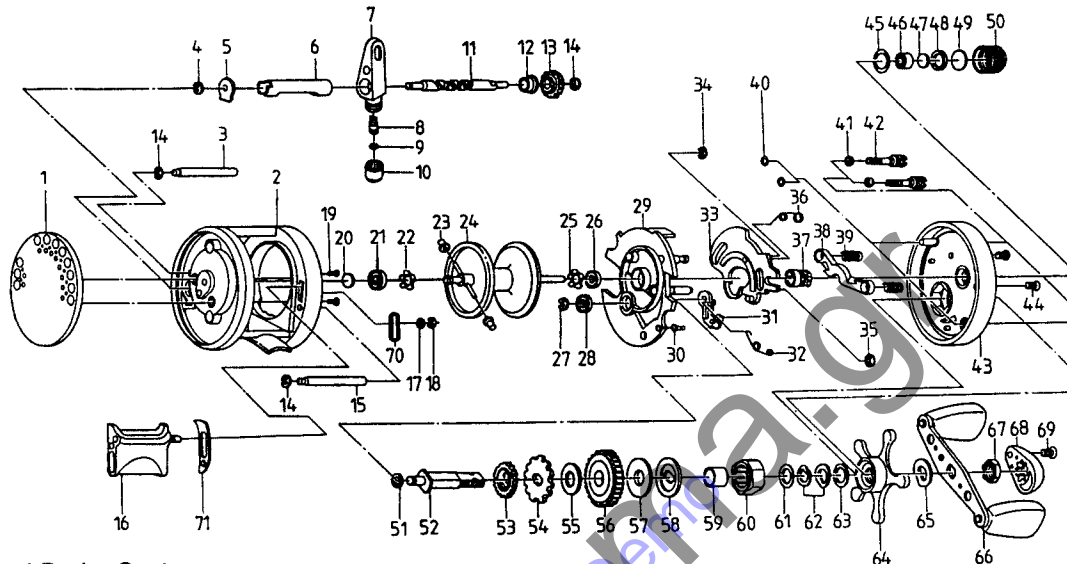


SPECIFICATIONS :

Med FW
 150 yds / 12 lb Line Capacity
 5.2:1 Gear Ratio
 10.2 oz.
 22 Inches Per Handle Turn
 Bearings:
 CTI22 - 4 BB; 1 RB
 LSR22 - 2 BB; 1 RB



FEATURES :

Continuous Anti-Reverse
 One Piece Aluminum Frame
 Thumb Bar Spool Release
 Right Hand Retrieve
 Externally Adjustable Centrifugal Brake System
 Color :

CTI22 - Bright Silver
 LSR22 - Dark Brown

Key No.	Part No.	DESCRIPTION	Price	Key No.	Part No.	DESCRIPTION
1	CTI22	LSR22		36	TV104-01	Release Slider Spring
2	TV023-01	TV023-02		37	TV311-01	Pinion Gear Assembly
3	TV301-01	TV301-02		38	TV025-01	Pinion Yoke
4	TV061-01	⇔⇔⇔		39	TV040-01	Pinion Yoke Spring
5	NX092-01	⇔⇔⇔		40	TV073-01	Thumb Screw O-Ring
6	TV067-01	⇔⇔⇔		41	TV035-01	Thumb Screw Washer
7	TV016-01	⇔⇔⇔		42	TV074-01	Thumb Screw
8	TV347-01	⇔⇔⇔		43	TV324-01	Gear Side Cover Assembly
9	ZW006-01	⇔⇔⇔		44	TV053-01	Gear Side Cover Screw
10	BV035-04	⇔⇔⇔		45	QW101-01	Tension Knob O-Ring
11	TV007-01	⇔⇔⇔		46	SW117-01	Tension Knob Ball Bearing
12	TV072-01	⇔⇔⇔		47	QW032-04	Spool Tension Washer
13	TV068-01	⇔⇔⇔		48	QW081-01	Spool Tension collar
14	ZW085-01	⇔⇔⇔		49	QW082-01	Spool Cushion Washer
15	NX090-01	⇔⇔⇔		50	TV033-01	Spool Tension Knob
16	TV061-01	⇔⇔⇔		51	TV032-01	Crank Shaft Spacing Washer
17	TV009-01	TV009-02		52	TV008-01	Crank Shaft
18	QW035-02	⇔⇔⇔		53	ZW112-01	O/S Drive Gear
19	NX090-01	⇔⇔⇔		54	TV083-01	Trip Ratchet
20	TV053-01	⇔⇔⇔		55	QW111-01	Ratchet Washer
21	QW032-04	⇔⇔⇔		56	TV012-01	Drive Gear
22	UW017-01	⇔⇔⇔		57	TV059-01	Drag Disc
23	TV080-01	⇔⇔⇔		58	TV045-01	Drag "D" Washer
24	TV044-01	⇔⇔⇔		59	ZW052-01	One Way Bearing Sleeve
25	TV321-01	TV321-03		60	ZW063-01	One Way Bearing
26	TV080-01	⇔⇔⇔		61	TV038-01	Crank Shaft Washer
27	SW017-01	N / A		62	QW046-02	Spring "D" Washer
28	N / A	QW017-01		63	TV038-01	Star Drag Washer
29	QW120-01	⇔⇔⇔		64	TV355-01	Star Drag Assembly
30	SW017-01	N / A		65	QW054-01	Handle Washer
31	N / A	QW017-01		66	TV318-01	UV318-01 Handle Assembly
32	QW120-01	⇔⇔⇔		67	QW003-01	Handle Nut
33	SW017-01	N / A		68	QW034-03	QW034-05 Handle Nut Cap
34	N / A	QW017-01		69	QW123-01	Handle Nut Cap Screw
35	QW120-01	⇔⇔⇔		70	TV140-01	Thumb Bar Retaining Plate
				71	TV056-01	TV056-02 Thumb Bar Guide

MODEL INTRODUCED : 1998	EFFECTIVE DATE OF PARTS LIST/DIAGRAM: July '98	DISCONTINUED : N / A
--------------------------------	---	-----------------------------

Prices subject to change without notice. Prices do not include postage and handling.
 PLEASE ORDER BY PART NUMBER Zebco, P.O. Box 270, Tulsa, Ok. 74101; 918-831-6965 Phone or 800-FIXREEL (349-7335) FAX