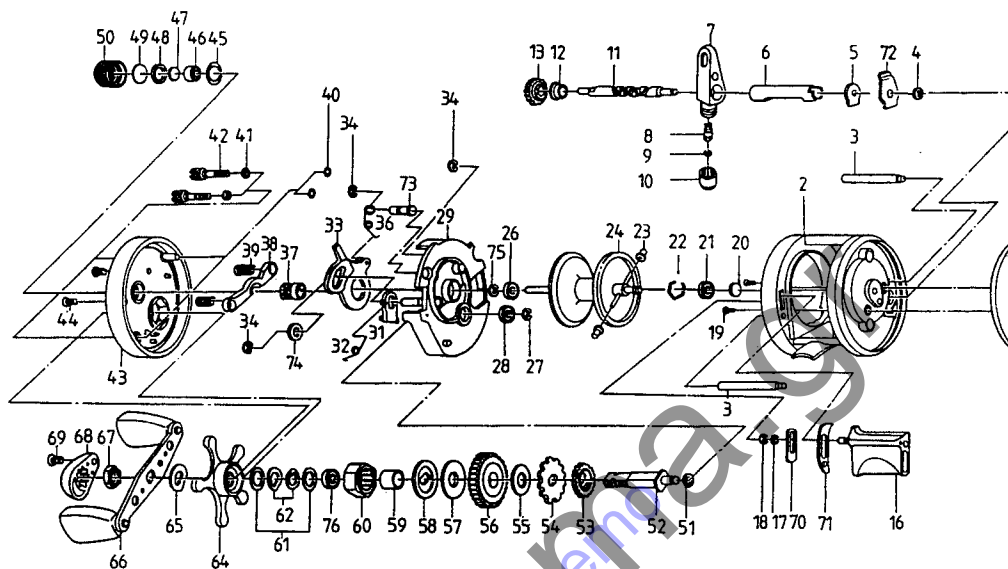


SPECIFICATIONS :

Med FW
150 yds / 12 lb Line Capacity
5.2:1 Gear Ratio
10.2 oz.
22 Inches Per Handle Turn
Bearings:
CT122L - 4 BB; 1 RB
LSR22L - 2 BB; 1 RB



FEATURES :

Continuous Anti-Reverse
One Piece Aluminum Frame
Thumb Bar Spool Release
Right Hand Retrieve
Externally Adjustable Centrifugal Brake System
Color :
CT122 - Bright Silver
LSR22 - Dark Brown

| Key No. | Part No. | DESCRIPTION | Price | Key No. | Part No. | DESCRIPTION |
|---------|----------|---------------------------------|-------|---------|----------|-----------------------------|
| 1 | UV023-01 | Palm Side Cover | | 39 | TV040-01 | Pinion Yoke Spring |
| 2 | UV301-01 | Frame Assembly | | 40 | TV073-01 | Thumb Screw O-Ring |
| 3 | TV061-01 | Line Guide Carrier Guide Pin | | 41 | TV035-01 | Thumb Screw Washer |
| 4 | NX092-01 | E-Clip | | 42 | TV074-01 | Thumb Screw |
| 5 | TV067-01 | Worm Shaft Bushing - Palm Side | | 43 | UV324-01 | Gear Side Cover Assembly |
| 6 | TV016-01 | Worm Shaft Guide | | 44 | TV053-01 | Gear Side Cover Screw |
| 7 | TV347-01 | Line Guide Carrier Assembly | | 45 | QW101-01 | Tension Knob O-Ring |
| 8 | ZW006-01 | Line Guide Pawl | | 46 | SW117-01 | Tension Knob Ball Bearing |
| 9 | BV035-04 | Line Guide Pawl Washer | | 47 | QW032-04 | Spool Tension Washer |
| 10 | TV007-01 | Line Guide Carrier Screw | | 48 | QW081-01 | Spool Tension collar |
| 11 | TV072-01 | Worm Shaft | | 49 | QW082-01 | Spool Cushion Washer |
| 12 | TV068-01 | Worm Shaft Bushing - Gear Side | | 50 | TV033-01 | Spool Tension Knob |
| 13 | ZW085-01 | Level Wind Gear | | 51 | TV032-01 | Crank Shaft Spacing Washer |
| 14 | NX090-01 | E-Clip | | 52 | TV008-02 | Crank Shaft |
| 15 | TV061-01 | Thumb Bar Retaining Pin | | 53 | ZW112-01 | O/S Drive Gear |
| 16 | UV009-01 | Thumb Bar | | 54 | TV083-01 | Trip Ratchet |
| 17 | QW035-02 | Thumb Bar Pin Washer | | 55 | QW111-01 | Ratchet Washer |
| 18 | NX090-01 | E-Clip | | 56 | TV012-02 | Drive Gear |
| 19 | TV053-01 | Palm Side Cover Screw | | 57 | TV059-01 | Drag Disc |
| 20 | QW032-04 | Spool Shaft Washer | | 58 | TV045-01 | Drag "D" Washer |
| 21 | UV017-01 | Spool Shaft Bearing - Palm Side | | 59 | ZW052-01 | One Way Bearing Sleeve |
| 22 | N/A | Spool Shaft Bushing - Palm Side | | 60 | ZW063-01 | One Way Bearing |
| 23 | QW080-01 | Clip Ring | | 61 | TV038-01 | Crank Shaft Washer |
| 24 | TV044-01 | Brake Shoe | | 62 | QW046-02 | Spring "D" Washer |
| 26 | TV321-02 | Spool Assembly | | 64 | TV355-02 | Star Drag Assembly |
| 27 | QW017-01 | Spool Shaft Bushing - Gear Side | | 65 | QW054-01 | Handle Washer |
| 28 | QW120-01 | E-Clip | | 66 | TV318-01 | Handle Assembly |
| 29 | SW017-01 | Crank Shaft Bearing - Lower | | 67 | QW003-02 | Handle Nut |
| 30 | N/A | Crank Shaft Bushing - Lower | | 68 | QW034-03 | Handle Nut Cap |
| 31 | UV010-01 | Set Plate | | 69 | QW123-01 | Handle Nut Cap Screw |
| 32 | UV077-01 | Kick Lever | | 70 | TV140-01 | Thumb Bar Retaining Plate |
| 33 | UV097-01 | Kick Lever Spring | | 71 | UV056-01 | Thumb Bar Guide |
| 34 | UV039-01 | Release Slider | | 72 | TV141-01 | Worm Shaft Retainer |
| 35 | QW120-01 | E-Clip | | 73 | TV103-01 | Release Slider Spring Post |
| 36 | UV104-01 | Release Slider Spring | | 74 | TV121-01 | Release Slider Washer |
| 37 | TV311-02 | Pinion Gear Assembly | | 75 | QW120-01 | E-Clip |
| 38 | UV025-01 | Pinion Yoke | | 76 | TW058-01 | Crank Shaft Bearing - Upper |

| | | |
|-------------------|------------------------------|-----------------------|
| MODEL | EFFECTIVE DATE OF | DISCONTINUED : |
| INTRODUCED : 1998 | PARTS LIST/DIAGRAM: July '98 | N/A |

Prices subject to change without notice. Prices do not include postage and handling.

PLEASE ORDER BY PART NUMBER

7455 P.O. Box 370 Tulsa, Ok 74101 918-831-6965 Phone or 800-FIXREEL (349-7335) FAX

