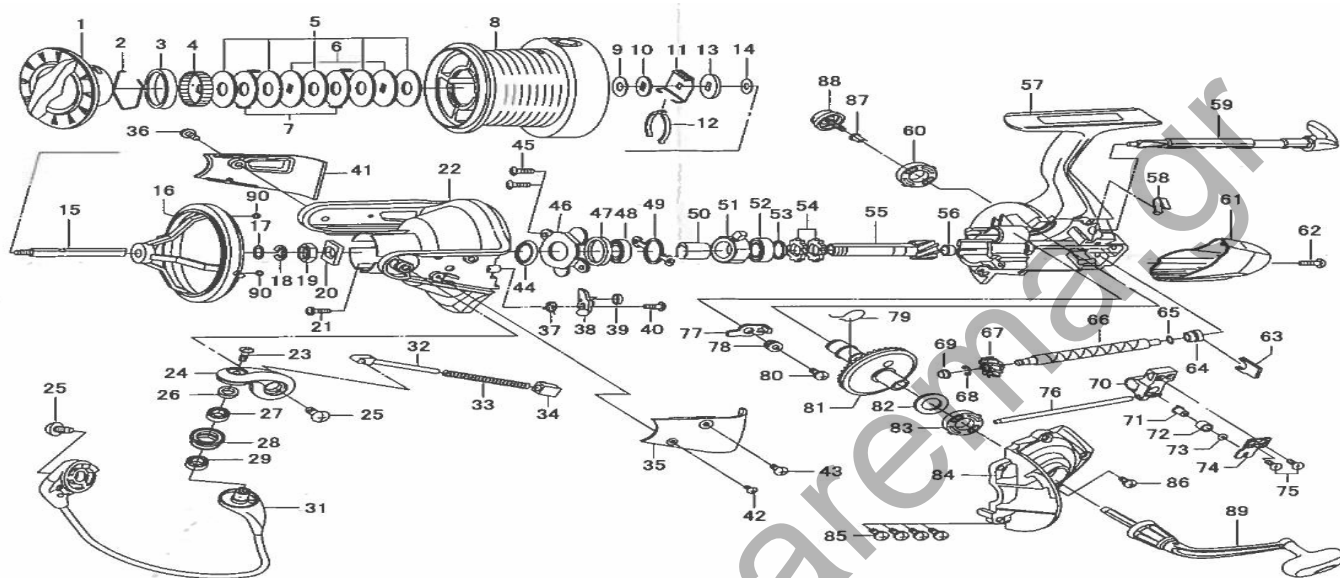




## SPINNING REEL **EMBLEM SHOT 5000A/6000A**



Key No.	Parts No.	Parts Name	Key No.	Parts No.	Parts Name
1	Q05-3101	Drag Knob	48	B54-6003	Ball Bearing (A)
2	F88-4001	Drag Washer Retainer	49	H35-5301	Clutch Cam Retainer
3	H49-6501	Collar (A)	50	H35-5201	Spacing Sleeve
4	G42-1401	Drag Ratchet	51	G84-5601	Roller Clutch
5	F75-5501	Drag Washer	52	B54-6003	Ball Bearing (B)
6	F88-1702	Key Washer	53	Q05-9201	Collar (F)
7	F75-5701	Eared Washer	54	G17-6702	Ratchet
2-8	Q05-2901	Spool Assembly	55	Q03-7101	Pinion Gear
2-8	Q05-3201	Extra Spool Assembly	56	G40-0401	Collar (G)
9	E39-9200	Washer (A)	57	Q05-2701	Body
10	F04-3402	Washer (B)	58	Q05-9001	Anti-Reverse Cam Spring
11	H05-0601	Cap	59	Q03-6702	Anti-Reverse Cam Lever
12	F70-4902	Spool Click Leaf Spring	60	H48-8901	Collar (H)
13	E26-7501	Washer (C)	61	Q03-7502	Rear Cover
14	G87-8201	Spring Washer	62	G27-0801	Screw (I)
15	H49-7401	Main Shaft	63	H35-5001	Worm Shaft Retainer (A)
16	Q03-8802	Line Guard	64	H35-4801	Collar (I)
17	G40-8301	Washer (D)	65	B41-1700	Washer (E)
18	320-1611	Retainer	66	H35-9901	Worm Shaft
19	H49-5901	Rotor Nut	67	Q03-7001	Worm Shaft Gear
20	G39-2201	Plate	68	320-5901	Worm Shaft Retainer (B)
21	G17-1402	Screw {A}	69	H35-4701	Collar (J)
22	Q03-7602	Rotor	70	H35-5601	Oscillating Slider
23	E45-4007	Screw {B}	71	H35-5701	Oscillating Pawl
24	Q03-8202	Bail Arm	72	H35-5801	Collar (K)
25	G45-5601	Screw (C)	73	375-0800	Washer (F)
26	H04-9901	Collar (B)	74	H35-6001	Oscillating Slider Cover
27	H19-4701	Collar (C)	75	352-1505	Screw (J)
28	G74-0402	Line Roller	76	H35-4901	Stabilizer Bar
29	H19-4701	Collar (D)	77	H35-4301	Anti-Reverse Pawl
31	Q04-7701	Bail Assembly	78	H35-4401	Collar (L)
32	Q03-8101	Bail Spring Shaft	79	H35-6201	Anti-Reverse Pawl Spring
33	Q05-8901	Bail Spring	80	B00-8601	Screw (K)
34	Q03-8001	Bail Spring Holder	81	Q03-7201	Drive Gear
35	Q04-4002	Cover (A)	82	B27-0700	Washer (G)
36	G20-5101	Screw (D)	83	H48-8901	Collar (M)
37	Q04-8801	Bail Trip Lever Spring	84	Q04-7601	Side Cover
38	Q03-7701	Bail Trip Lever	85	G41-0701	Screw (L)
39	G19-4301	Brake Shoe	86	B00-8601	Screw (M)
40	G19-3701	Screw (E)	87	F40-9001	Collar (L)
41	Q04-4102	Cover (B)	86	H47-7501	Handle Screw
42	G45-5701	Screw (F)	89	Q05-2801	Handle Assembly
43	G20-5101	Screw (G)	90	B85-3101	"0" Ring
44	H44-6101	Packing (B)			
45	L00-1801	Screw (H)			
46	H35-5501	Bearing Retainer			
47	Q05-9101	Collar (E)			

EMBLEM SHOT 6000A Special Parts		
Key No.	Parts No.	Parts Name
2-8	Q05-3301	Spool Assembly
2-8	Q05-3501	Extra Spool Assembly