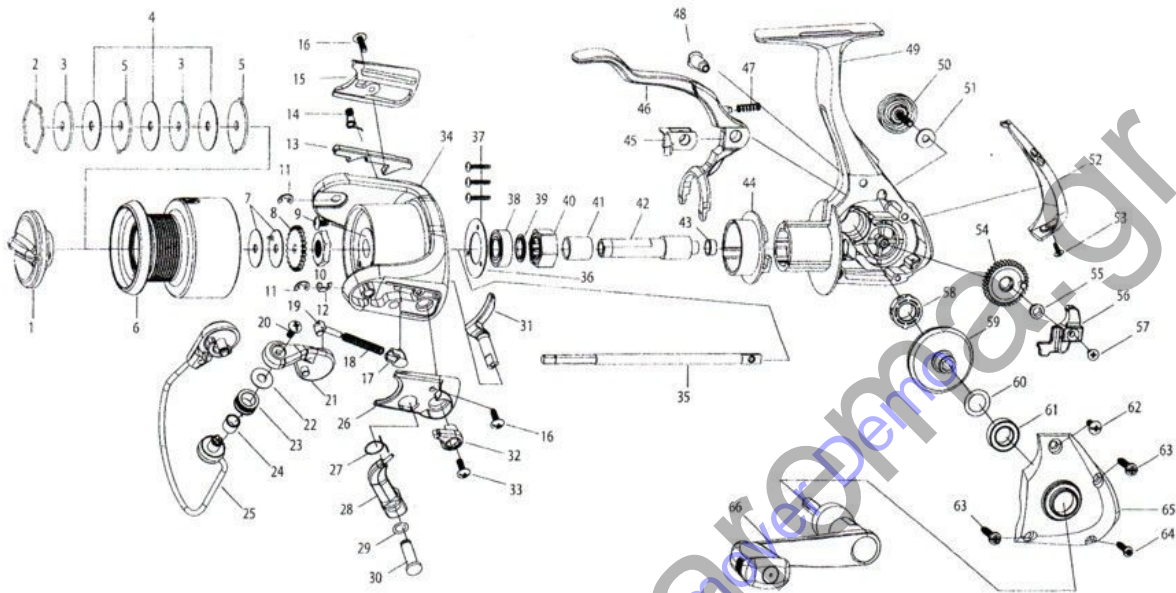


### Hypercast HPL10



Hypercast HPL10 Part List

KEY #	DESCRIPTION	HPL10	KEY #	DESCRIPTION	HPL10
1	Drag Knob Assembly	PQ332-04	34	Rotor	BS009-01
2	Drag Retainer	RQ038-01	35	Main Shaft	BS015-01
3	Drag Washer "D"	RQ080-01	36	Bearing Plate	BS040-01
4	Drag Washer "B"	RQ033-01	37	Bearing Plate Screw	NH041-01
5	Drag Washer "A"	RQ081-01	38	Ball Bearing	AQ028-03
6	Spool Assembly	BS321-01	39	Bearing Spacer	BS110-01
7	Click Gear Washer	RQ030-01	40	Clutch Bearing	BS063-01
8	Click Gear	RQ037-01	41	Bearing Sleeve	BS139-01
9	Rotor Nut Lock Screw	GU077-08	42	Pinion Gear	BS011-01
10	Rotor Nut	TH006-01	43	Pinion Bushing	RQ141-01
11	E-Clip	GH034-01	44	Bail Opening Ring	BS121-01
12	E-Clip	KQ034-01	45	Kick Boss	BS114-01
13	Kick Lever	BS019-01	46	Bail Trip Lever	BS116-01
14	Kick Lever Spring	BS049-01	47	Bail Trip Lever Spring	CS117-01
15	Kick Lever Cover	BS024-01	48	Bail Trip Lever Shaft	CS115-01
16	Cover Screw	GU077-03	49	Body Assembly	BS301-01
17	Bail Spring Holder	QL020-01	50	Handle Cap Screw Assembly	RQ073-01
18	Bail Spring	BS022-01	51	Handle Cap Washer	TH105-01
19	Bail Spring Shaft	KQ031-01	52	Body Rear Cover	BS140-01
20	Line Slider Screw	AQ108-01	53	Body Rear Cover Screw	CS062-01
21	Arm Lever	BS007-01	54	O/S Gear	RQ053-01
22	Line Roller Washer	BS102-01	55	O/S Bushing	RQ158-01
23	Line Roller	CS004-01	56	O/S Slider	BS025-01
24	Line Roller Bushing	CS016-01	57	Main Shaft Screw	RQ100-01
25	Bail Assembly	BS347-01	58	Body Ball Bearing/Bushing	BS027-01
26	Bail Spring Cover	BS087-01	59	Drive Gear	RQ012-01
27	Link Arm Lever Spring	CS096-01	60	Gear Adjust Washer	GU105-08
28	Link Arm Lever Assembly	BS397-01	61	Body Cover Ball Bearing	AQ028-03
29	Link Arm Washer	NH175-01	62	Body Cover Screw	AQ108-01
30	Link Arm Lever Pin	CS113-01	63	Body Cover Screw	JU057-03
31	Link Shaft Arm	BS151-01	64	Body Cover Screw	GU057-02
32	Link Cam	BS154-01	65	Body Cover	BS023-01
33	Screw	AQ108-01	66	Handle Assembly	BS318-01