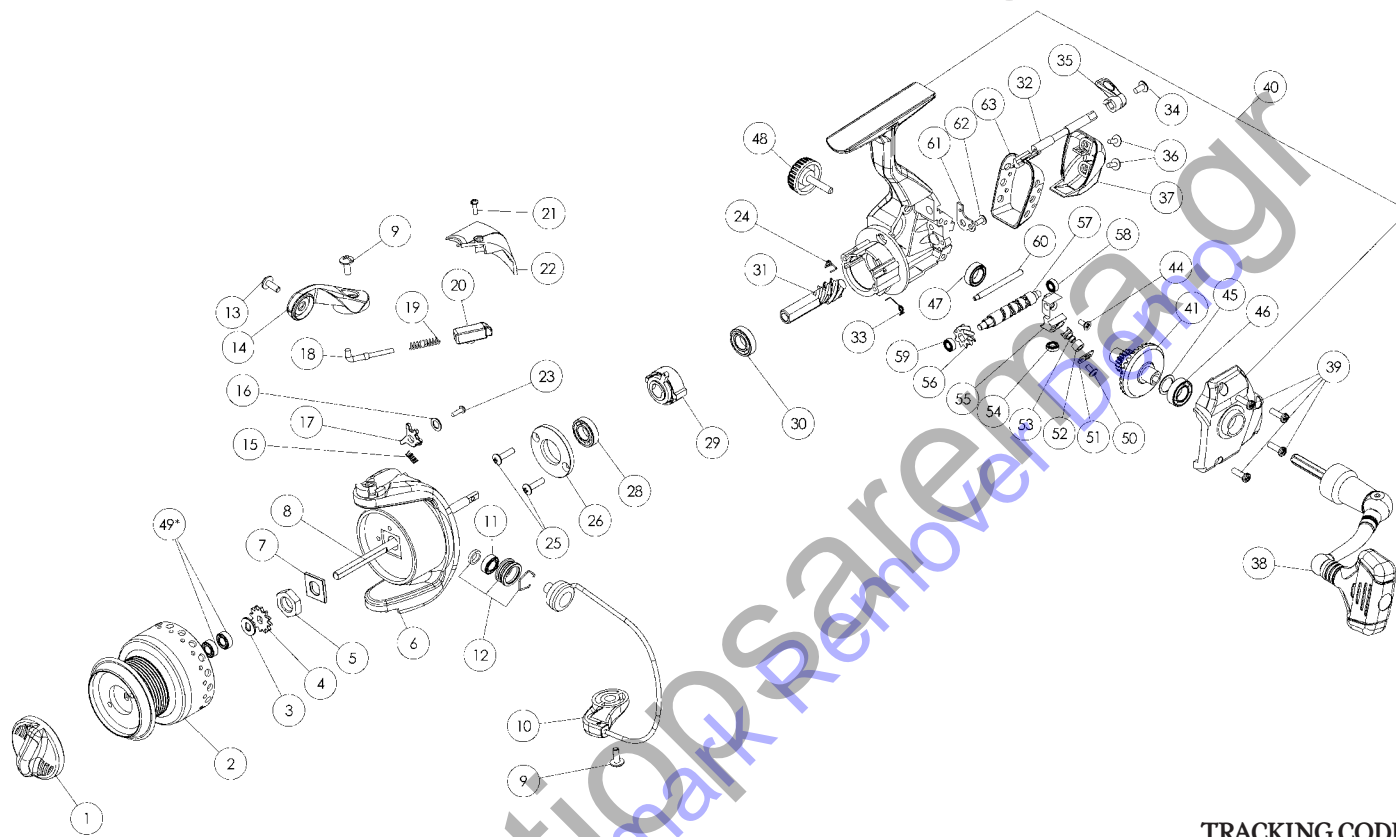


## PARTS LIST

# RAP SX10i™ Spinning Reel



TRACKING CODE **D1**

KEY	PART NAME	KEY	PART NAME	KEY	PART NAME
1	Drag Knob	21	Rotor Cover Screw	44	Oscillation Slide Screw
2	Spool	22	Rotor Cover	45	Drive Gear Washer
3	Spool Washer	23	Bail Trip Cam Screw	46	Left Drive Gear Bearing
4	Spool Click Gear	24	Anti-Reverse Tension Spring	47	Right Drive Gear Bearing
5	Rotor Nut	25	Bearing Cover Retainer Screw	48	Dust Cap Assembly
6	Rotor	26	Bearing Cover	49	*Spool Bearing (2 per reel)
7	Rotor Washer	28	Upper Pinion Bearing	50	Pawl Cover Screw
8	Main Shaft	29	Anti-Reverse Bearing Assembly	51	Pawl Cover
9	Bail Screw	30	Lower Pinion Bearing	52	Pawl Bushing
10	Bail Assembly	31	Pinion Gear	53	Pawl
11	Line Roller Bearing	32	Anti-Reverse Cam	54	Oscillation Slide Bearing
12	Line Roller Assembly	33	Anti-Reverse Spring	55	Oscillation Slide
13	Line Roller Screw	34	Anti-Reverse Switch Screw	56	Oscillation Idler Gear
14	Bail Arm	35	Anti-Reverse Switch	57	Worm Shaft
15	Bail Trip Cam Spring	36	Body Cap Screw	58	Lower Worm Bearing
16	Bail Trip Cam Washer	37	Body Cap	59	Worm Bearing
17	Bail Trip Cam	38	Handle Assembly	60	Oscillation Slide Guide
18	Bail Spring Pivot Arm	39	Side Cover Screw	61	Worm Shaft Cover
19	Bail Spring	40	Body Assembly	62	Worm Shaft Cover Screw
20	Bail Spring Guide	41	Drive Gear	63	Body Cap Spacer

### To Order Replacement Parts

Locate the part(s) you need from the diagram above. Use the key to identify the part number and part name. When ordering part(s), be sure to include the Rapala reel model name, the part number, the part name, quantity required and the tracking code.

Order parts from: Nutter Rod and Reel Service • 3383 Hwy. 411 NE • White, GA 30184-2432 • Phone (770) 386-3978 • Fax (877) 475-4611

# RAPALA®

Premium Fishing Reels. • Crafted from Experience.™