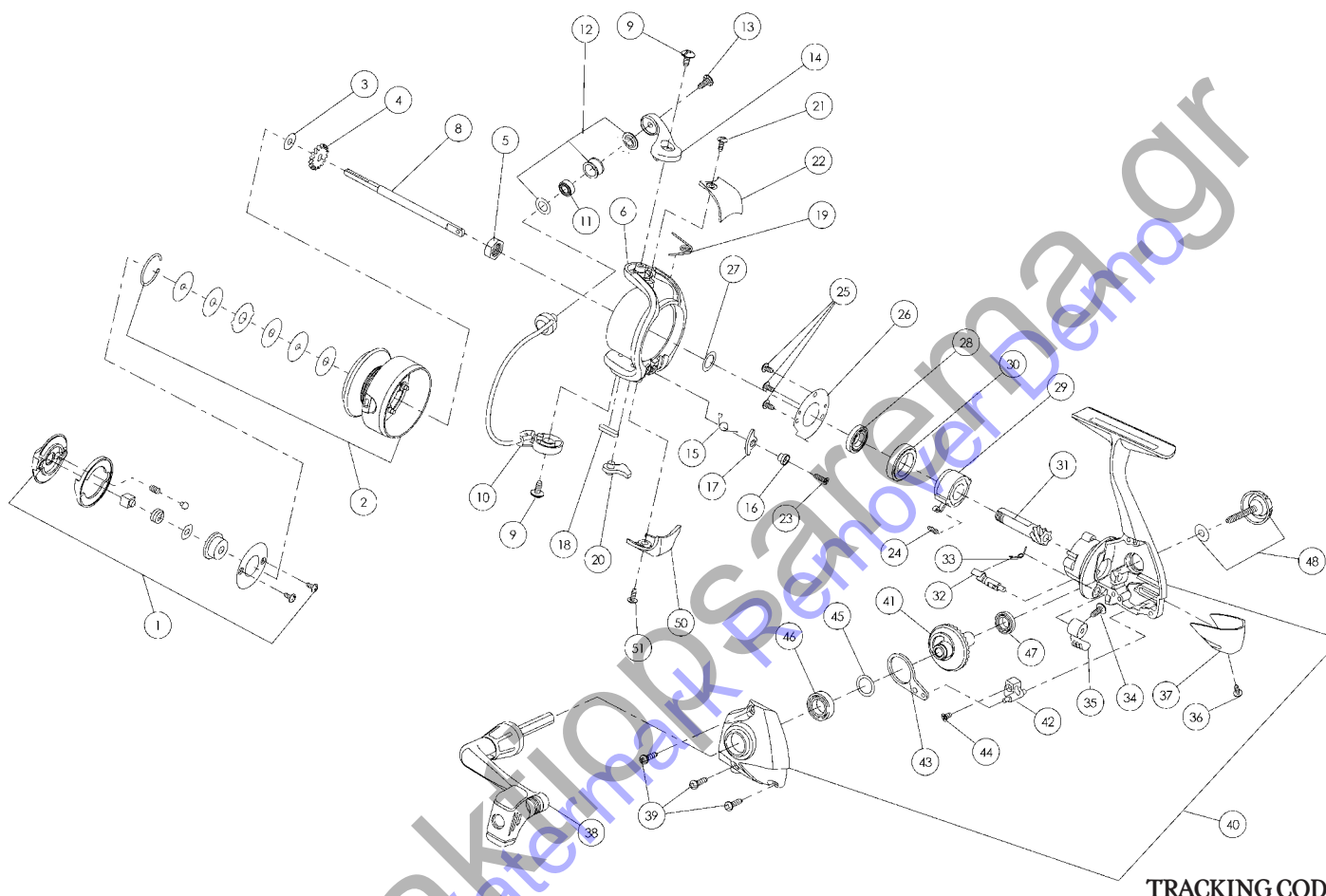


PARTS LIST

RAP SX3iULTM Spinning Reel



TRACKING CODE **J1**

KEY	PART NAME	KEY	PART NAME	KEY	PART NAME
1	Drag Knob	18	Bail Trip Pivot Arm	34	Anti-Reverse Switch Screw
2	Spool	19	Bail Spring	35	Anti-Reverse Switch
3	Spool Washer	20	Bail Trip Lever	36	Body Cap Screw
4	Spool Click Gear	21	Rotor Cover A Screw	37	Body Cap
5	Rotor Nut	22	Rotor Cover A	38	Handle Assembly
6	Rotor	23	Bail Trip Cam Screw	39	Side Cover Screw
8	Main Shaft	24	Anti-Reverse Tension Spring	40	Body Assembly
9	Bail Screw	25	Bearing Cover Retainer Screw	41	Drive Gear
10	Bail Assembly	26	Bearing Cover	42	Oscillation Slide
11	Line Roller Bearing	27	Pinion Bearing Washer	43	Oscillation Arm
12	Line Roller Assembly	28	Pinion Bearing	44	Oscillation Slide Screw
13	Line Roller Screw	29	Anti-Reverse Bearing Assembly	45	Drive Gear Washer
14	Bail Arm	30	Bearing Sleeve	46	Left Drive Gear Bearing
15	Bail Trip Cam Spring	31	Pinion Gear	47	Drive Gear Bushing
16	Bail Trip Cam Spacer	32	Anti-Reverse Cam	48	Dust Cap Assembly
17	Bail Trip Cam	33	Anti-Reverse Spring	50	Rotor Cover B
				51	Rotor Cover B Screw

To Order Replacement Parts

Locate the part(s) you need from the diagram above. Use the key to identify the part number and part name. When ordering part(s), be sure to include the Rapala reel model name, the part number, the part name, quantity required and the tracking code.

Order parts from: Nutter Rod and Reel Service • 3383 Hwy. 411 NE • White, GA 30184-2432 • Phone (770) 386-3978 • Fax (877) 475-4611

RAPALA[®]

Premium Fishing Reels. • Crafted from Experience.[™]