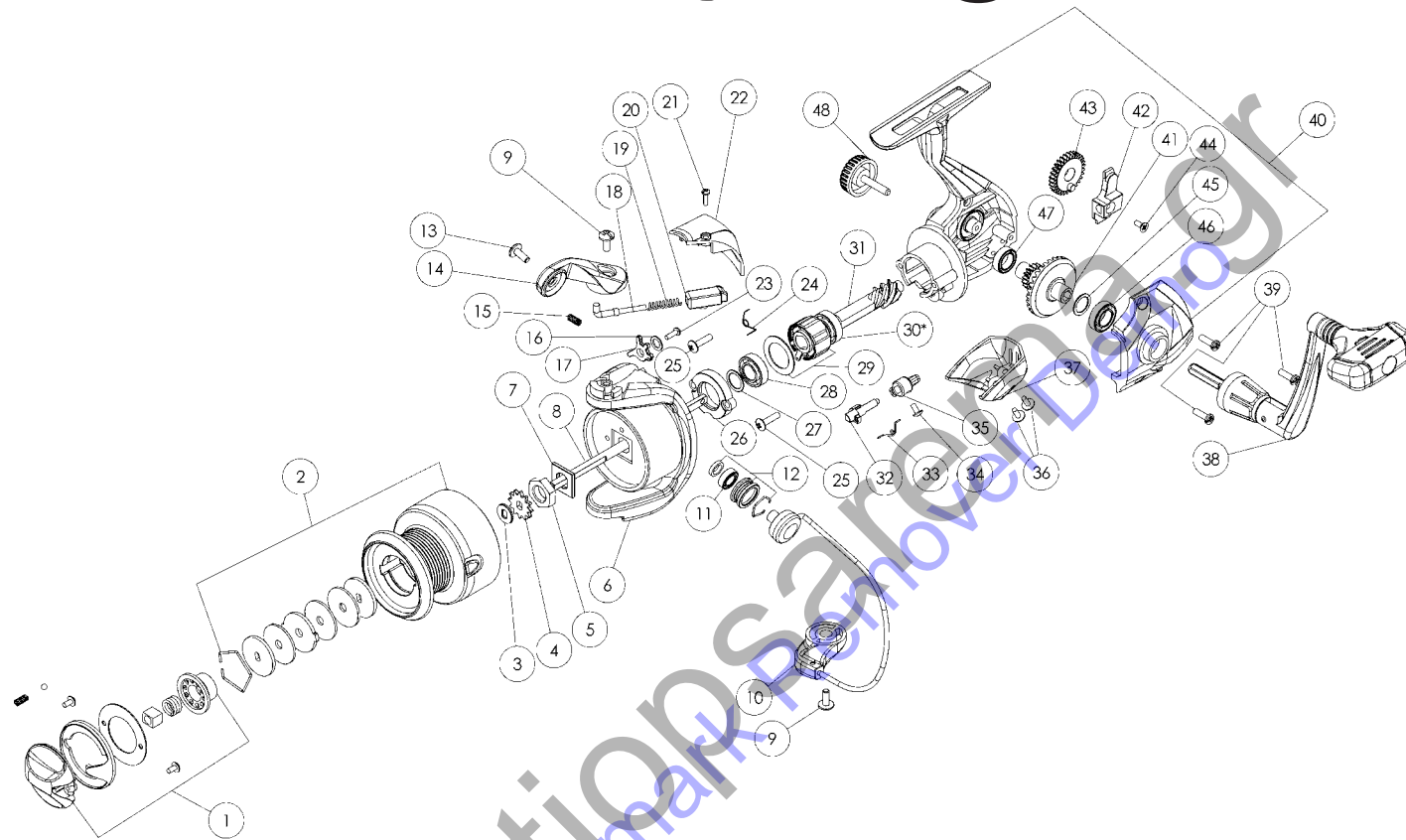


PARTS LIST

RAP SX4i™ Spinning Reel



TRACKING CODE **D1**

KEY	PART NAME	KEY	PART NAME	KEY	PART NAME
1	Drag Knob	18	Bail Spring Pivot Arm	34	Anti-Reverse Switch Screw
2	Spool	19	Bail Spring	35	Anti-Reverse Switch
3	Spool Washer	20	Bail Spring Guide	36	Body Cap Screw
4	Spool Click Gear	21	Rotor Cover Screw	37	Body Cap
5	Rotor Nut	22	Rotor Cover	38	Handle Assembly
6	Rotor	23	Bail Trip Cam Screw	39	Side Cover Screw
7	Rotor Washer	24	Anti-Reverse Tension Spring	40	Body Assembly
8	Main Shaft	25	Bearing Cover Retainer Screw	41	Drive Gear
9	Bail Screw	26	Bearing Cover	42	Oscillation Slide
10	Bail Assembly	27	Pinion Bearing Washer	43	Oscillation Gear
11	Line Roller Bearing	28	Pinion Bearing	44	Oscillation Slide Screw
12	Line Roller Assembly	29	Anti-Reverse Bearing Assembly	45	Drive Gear Washer
13	Line Roller Screw	30	*Pinion Bushing (Only on 30 Size)	46	Left Drive Gear Bearing
14	Bail Arm	31	Pinion Gear	47	Right Drive Gear Bearing
15	Bail Trip Cam Spring	32	Anti-Reverse Cam	48	Dust Cap Assembly
16	Bail Trip Cam Washer	33	Anti-Reverse Spring		
17	Bail Trip Cam				

To Order Replacement Parts

Locate the part(s) you need from the diagram above. Use the key to identify the part number and part name. When ordering part(s), be sure to include the Rapala reel model name, the part number, the part name, quantity required and the tracking code.

Order parts from: Nutter Rod and Reel Service • 3383 Hwy. 411 NE • White, GA 30184-2432 • Phone (770) 386-3978 • Fax (877) 475-4611

RAPALA®

Premium Fishing Reels. • Crafted from Experience.™