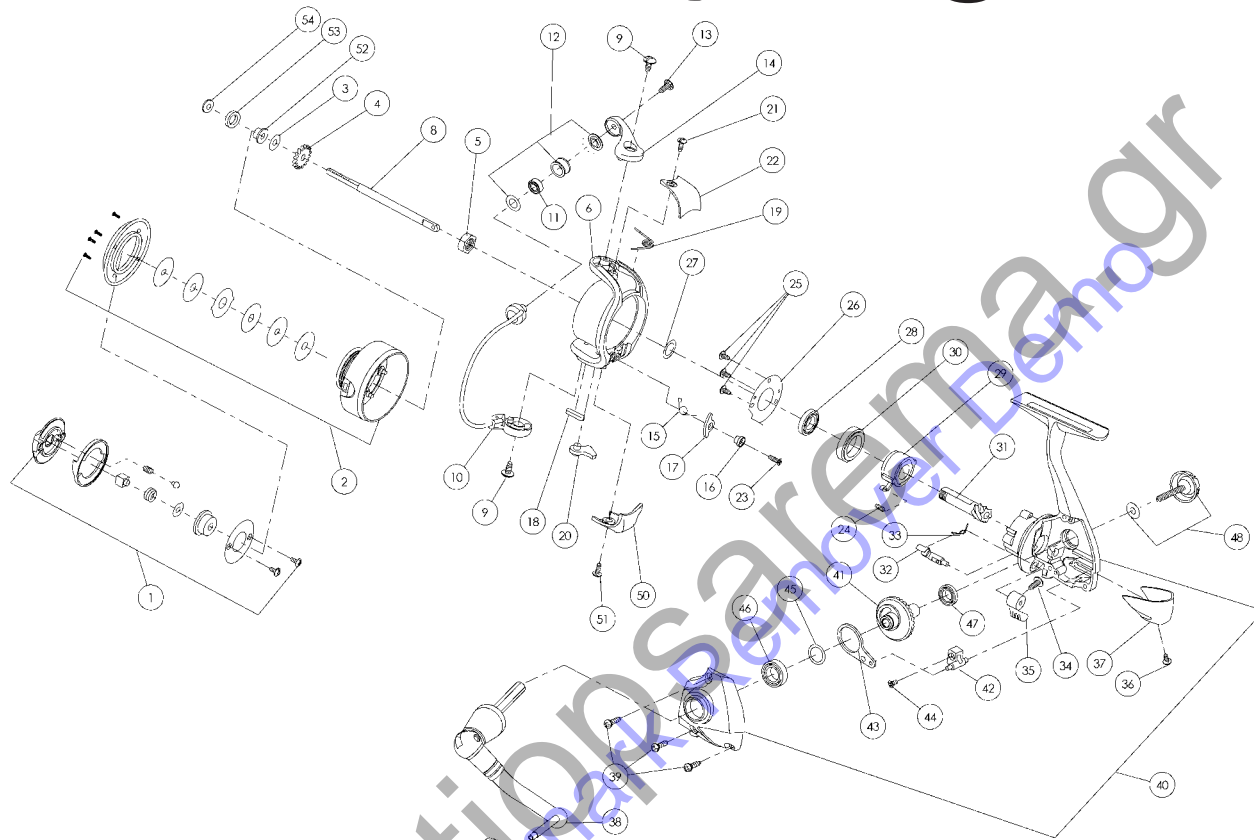


PARTS LIST

RAP SX5iULTM Spinning Reel



TRACKING CODE **J1**

KEY	PART NAME	KEY	PART NAME	KEY	PART NAME
1	Drag Knob	20	Bail Trip Lever	38	Handle Assembly
2	Spool	21	Rotor Cover A Screw	39	Side Cover Screw
3	Spool Washer	22	Rotor Cover A	40	Body Assembly
4	Spool Click Gear	23	Bail Trip Cam Screw	41	Drive Gear
5	Rotor Nut	24	Anti-Reverse Tension Spring	42	Oscillation Slide
6	Rotor	25	Bearing Cover Retainer Screw	43	Oscillation Arm
8	Main Shaft	26	Bearing Cover	44	Oscillation Slide Screw
9	Bail Screw	27	Pinion Bearing Washer	45	Drive Gear Washer
10	Bail Assembly	28	Pinion Bearing	46	Left Drive Gear Bearing
11	Line Roller Bearing	29	Anti-Reverse Bearing Assembly	47	Right Drive Gear Bearing
12	Line Roller Assembly	30	Bearing Sleeve	48	Dust Cap Assembly
13	Line Roller Screw	31	Pinion Gear	50	Rotor Cover B
14	Bail Arm	32	Anti-Reverse Cam	51	Rotor Cover B Screw
15	Bail Trip Cam Spring	33	Anti-Reverse Spring	52	Spool Bearing Retainer
16	Bail Trip Cam Spacer	34	Anti-Reverse Switch Screw	53	Spool Bearing
17	Bail Trip Cam	35	Anti-Reverse Switch	54	Spool Bearing Washer
18	Bail Trip Pivot Arm	36	Body Cap Screw		
19	Bail Spring	37	Body Cap		

To Order Replacement Parts

Locate the part(s) you need from the diagram above. Use the key to identify the part number and part name. When ordering part(s), be sure to include the Rapala reel model name, the part number, the part name, quantity required and the tracking code.

Order parts from: Nutter Rod and Reel Service • 3383 Hwy. 411 NE • White, GA 30184-2432 • Phone (770) 386-3978 • Fax (877) 475-4611

RAPALA[®]

Premium Fishing Reels. • Crafted from Experience.[™]