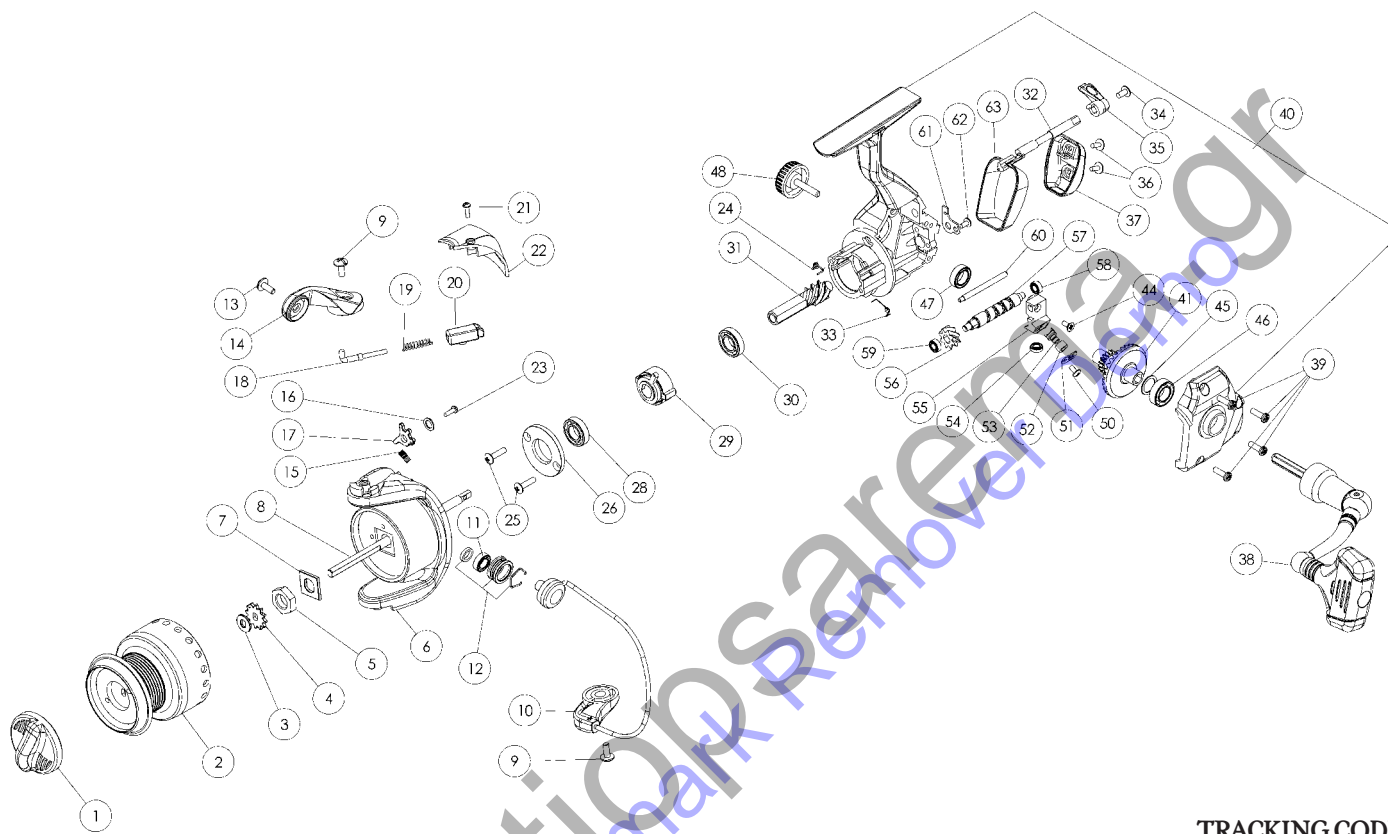


## PARTS LIST

# RAP SX7i™ Spinning Reel



TRACKING CODE **DI**

KEY PART NAME

1	Drag Knob
2	Spool
3	Spool Washer
4	Spool Click Gear
5	Rotor Nut
6	Rotor
7	Rotor Washer
8	Main Shaft
9	Bail Screw
10	Bail Assembly
11	Line Roller Bearing
12	Line Roller Assembly
13	Line Roller Screw
14	Bail Arm
15	Bail Trip Cam Spring
16	Bail Trip Cam Washer
17	Bail Trip Cam
18	Bail Spring Pivot Arm
19	Bail Spring
20	Bail spring Guide

KEY PART NAME

21	Rotor Cover Screw
22	Rotor Cover
23	Bail Trip Cam Screw
24	Anti-Reverse Tension Spring
25	Bearing Cover Retainer Screw
26	Bearing Cover
28	Upper Pinion Bearing
29	Anti-Reverse Bearing Assembly
30	Lower Pinion Bearing
31	Pinion Gear
32	Anti-Reverse Cam
33	Anti-Reverse Spring
34	Anti-Reverse Switch Screw
35	Anti-Reverse Switch
36	Body Cap Screw
37	Body Cap
38	Handle Assembly
39	Side Cover Screw
40	Body Assembly
41	Drive Gear

KEY PART NAME

44	Oscillation Slide Screw
45	Drive Gear Washer
46	Left Drive Gear Bearing
47	Right Drive Gear Bearing
48	Dust Cap Assembly
50	Pawl Cover Screw
51	Pawl Cover
52	Pawl Bushing
53	Pawl
54	Oscillation Slide Bearing
55	Oscillation Slide
56	Oscillation Idler Gear
57	Worm Shaft
58	Worm Bushing
59	Worm Bearing
60	Oscillation Slide Guide
61	Worm Shaft Cover
62	Worm Shaft Cover Screw
63	Body Cap Spacer

### To Order Replacement Parts

Locate the part(s) you need from the diagram above. Use the key to identify the part number and part name. When ordering part(s), be sure to include the Rapala reel model name, the part number, the part name, quantity required and the tracking code.

Order parts from: Nutter Rod and Reel Service • 3383 Hwy. 411 NE • White, GA 30184-2432 • Phone (770) 386-3978 • Fax (877) 475-4611

# RAPALA®

Premium Fishing Reels. • Crafted from Experience.™