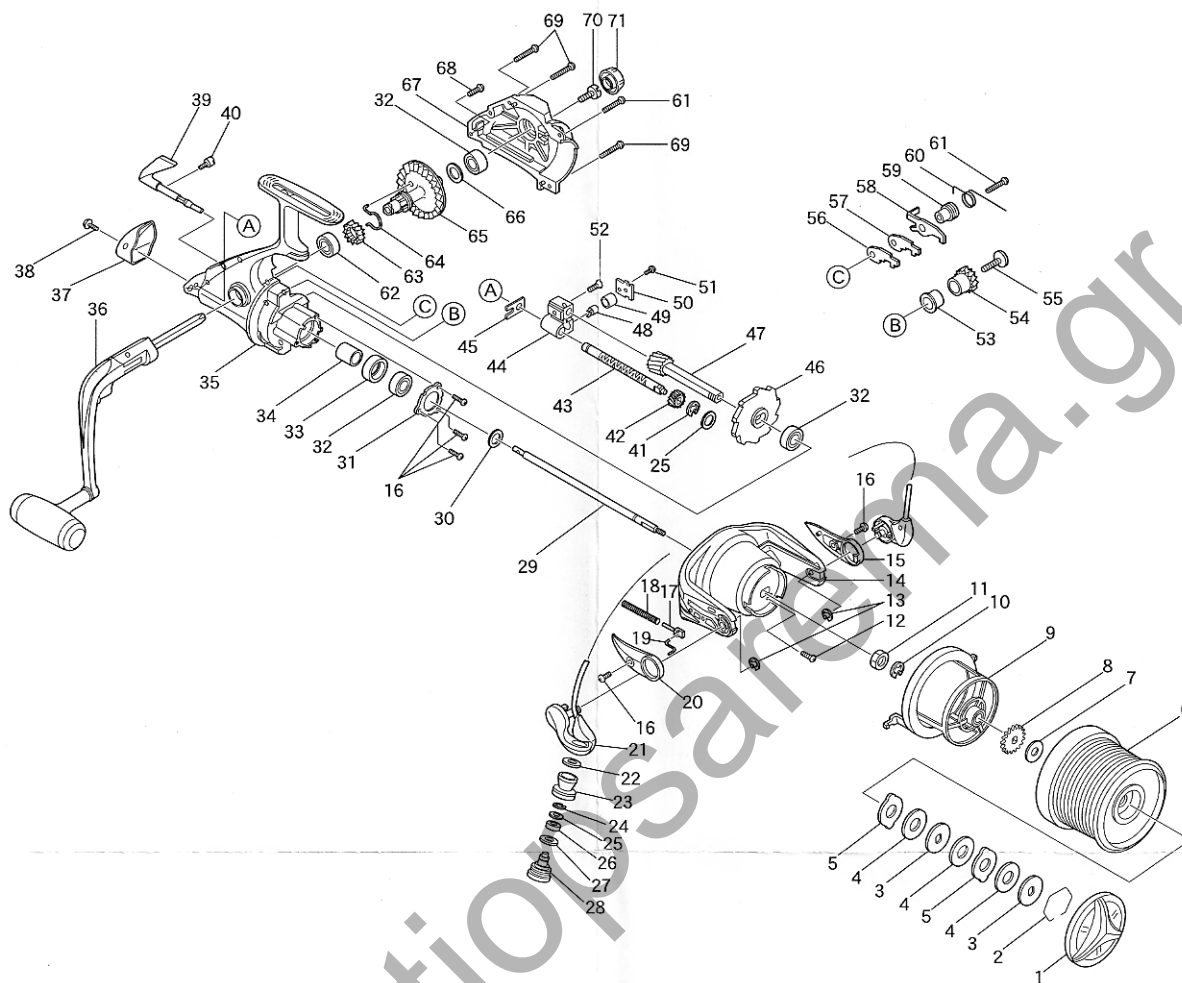


EXPLODED VIEW

PROSKYER NOSE Power



PARTS LIST

KEY NO.	PARTS NO.	PARTS NAME	KEY NO.	PARTS NO.	PARTS NAME	KEY NO.	PARTS NO.	PARTS NAME
1	0232197	DRAG KNOB ASSY.	26	38248	BALL BEARING	51	20508	SCREW
2	28285	STOPPER SPRING	27	27648	WASHER	52	20630	SCREW
3	26315	DRAG WASHER	28	21153A	ROLLER SCREW	53	17426	COLLAR
4	26012E	DRAG WASHER	29	34029	MAIN SHAFT	54	10466A	CONNECTING GEAR
5	26011	EAR WASHER	30	27333	WASHER	55	21154	CONNECTING SUPPORT SCREW
6	0206583	SPOOL ASSY.	31	30161	BEARING SUPPORT	56	68496	ANTI-REVERSE CLAW SUPPORT
7	27696	CLICK WASHER	32	38088	BALL BEARING	57	49053	ANTI-REVERSE CLAW RUBBER
8	13120	CLICK	33	17429	COLLAR	58	33323	ANTI-REVERSE CLAW
9	68498	LINE TRAP PREVENTION RING	34	17428	SPACER	59	17427	COLLAR
10	42013	STOPPER RING	35	0203356B	MAIN BODY ASSY.	60	67094	CLAW SPRING
11	18028	NUT	36	0207377B	HANDLE ASSY.	61	20256A	SCREW
12	20092	SCREW	37	41524A	PROTECTOR	62	38274	BUSH
13	42009	RETAINING RING	38	20328	SCREW	63	10465	MAIL HELICAL GEAR
14	0205261A	ROTOR ASSY.	39	0215674	ANTI-REVERSE ASSY.	64	67105	GUIDE SPRING
15	41523A	COVER B	40	21155	STOPPER SCREW	65	08275	MAIN GEAR
16	20219A	SCREW	41	42006	STOPPER RING	66	27328	WASHER
17	68493	SLIDER	42	10467	TRAVERSE GEAR	67	04499B	SIDE PLATE
18	67096	DEAD POINT SPRING	43	14347	TRAVERSE CAM	68	20627	SCREW
19	68492	LINK	44	11156	OSCILLATOR	69	19269	SCREW
20	41522A	COVER A	45	30160	TRAVERSE PLATE	70	21106	HANDLE SCREW
21	0229360	BAIL ARM ASSY.	46	0248095	RATCHET ASSY.	71	19480A	HANDLE CAP
22	27705	THRUST WASHER	47	09328	PINION GEAR			
23	25094A	ROLLER	48	33324	CLAW			
24	42021	STOPPER RING	49	16356	BUSH			
25	27221	SPACER WASHER	50	30159	CLAW SUPPORT			

SPECIFICATIONS

Model Name	Gear Ratio	Max. Drag Power	Weight	Ball Bearing	Line Capacity
PROSKYER NOSE Power	3.9:1	12 kg	635 g	4	200m-0.40mm