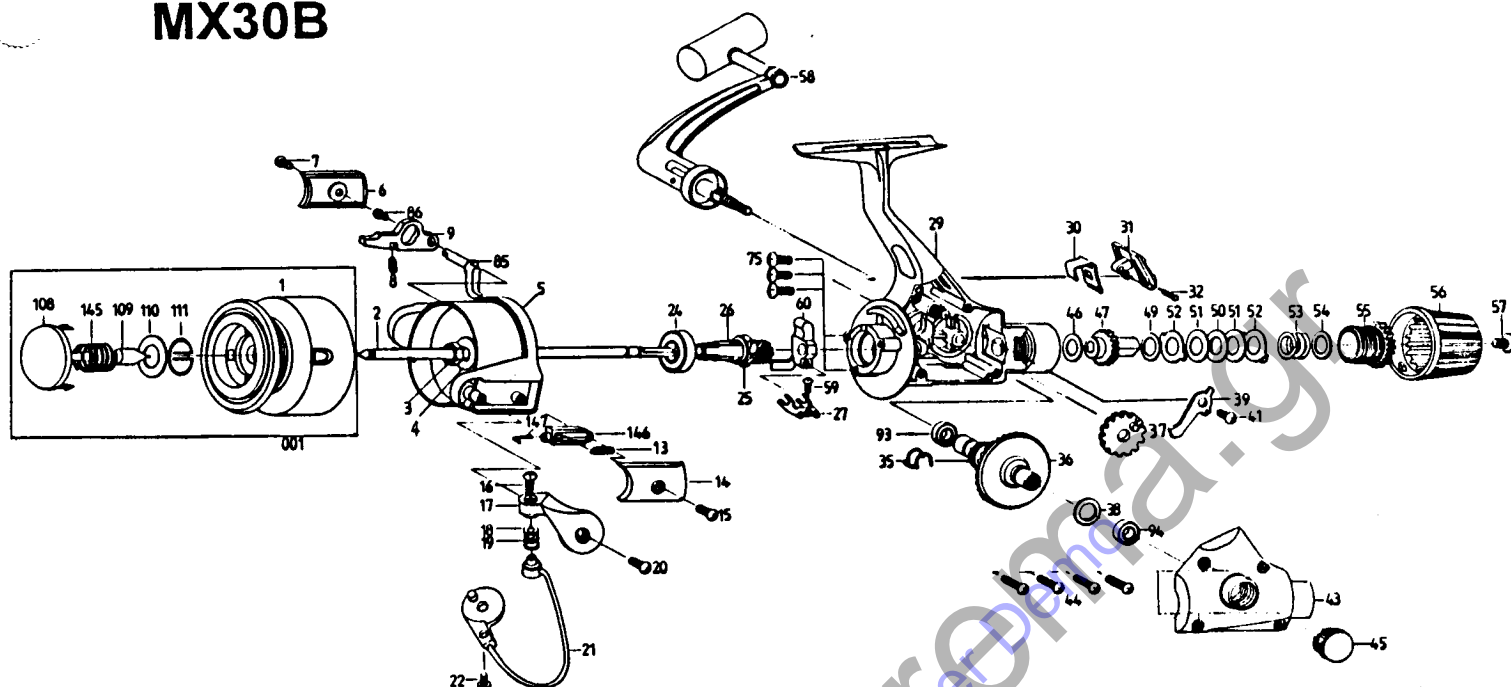


MX30B



| REF.NO | PART NO. | DESCRIPTION | PRICE | REF. NO. | PART NO. | DESCRIPTION | PRICE |
|--------|----------|-------------------|--------|----------|----------|--------------------|--------|
| 1 | 001-5140 | SPOOL ASSY | \$4.00 | 37 | 037-5140 | O/S GEAR | \$0.35 |
| 2 | 002-5140 | MAIN SHAFT ASSY | \$1.10 | 38 | 038-0710 | DRIVE GEAR ADJ W/S | \$0.35 |
| 3 | 003-0710 | ROTOR NUT | \$0.35 | 39 | 039-5140 | A-R-CLAW | \$0.35 |
| 4 | 004-0710 | ROTOR W/S | \$0.35 | 41 | 041-4214 | A-R-CLAW S/C | \$0.35 |
| 5 | 005-5140 | ROTOR | \$3.35 | 43 | 043-5140 | BODY C/O ASSY | \$1.75 |
| 6 | 006-5140 | B/H C/O | \$0.35 | 44 | 044-4217 | BODY C/O S/C | \$0.35 |
| 7 | 007-4211 | B/H C/O S/C | \$0.35 | 45 | 045-0710 | HANDLE S/C CAP | \$0.35 |
| 8 | 008-5140 | BAIL K/L S/P | \$0.35 | 46 | 046-1810 | CLICK METAL W/S | \$0.35 |
| 9 | 009-5140 | BAIL K/L | \$0.60 | 47 | 047-4211 | CLICK METAL | \$0.35 |
| 13 | 013-5140 | BAIL S/P | \$0.35 | 49 | 049-1810 | B W/S | \$0.35 |
| 14 | 014-5140 | ARM LEVER C/O | \$0.35 | 50 | 050-1810 | P W/S | \$0.35 |
| 15 | 007-4211 | ARM LEVER C/O S/C | \$0.35 | 51 | 051-1810 | C W/S | \$0.35 |
| 16 | 016-2610 | L-SLIDER S/C | \$0.35 | 52 | 052-1810 | A W/S | \$0.35 |
| 17 | 017-5140 | ARM LEVER | \$0.35 | 53 | 053-4212 | COIL S/P | \$0.35 |
| 18 | 018-5140 | L-ROLLER COLLAR | \$0.35 | 54 | 054-1810 | PRESSURE W/S | \$0.35 |
| 19 | 019-0710 | L-ROLLER | \$0.75 | 55 | 055-5140 | PRESSURE | \$0.35 |
| 20 | 020-4211 | ARM LEVER S/C | \$0.35 | 56 | 056-5140 | DRAG KNOB | \$0.90 |
| 21 | 021-5140 | BAIL ASSY | \$2.15 | 57 | 057-5140 | DRAG KNOB S/C | \$0.35 |
| 22 | 020-4211 | B/H S/C | \$0.35 | 58 | 058-5140 | HANDLE ARM ASSY | \$3.50 |
| 24 | 024-5140 | BALL BEARING | \$3.10 | 59 | 007-4212 | RETAINER S/C | \$0.35 |
| 25 | 025-5140 | RATCHET | \$0.35 | 60 | 060-5140 | O/S SLIDER | \$0.35 |
| 26 | 026-5140 | PINION | \$1.95 | 75 | 075-5140 | BEARING S/C | \$0.35 |
| 27 | 027-5140 | RETAINER | \$0.35 | 85 | 085-5140 | KICK LEVER | \$0.75 |
| 29 | 029-5140 | BODY ASSY | \$3.50 | 86 | 086-5140 | K/L S/C | \$0.35 |
| 30 | 030-5140 | LEAF S/P | \$0.35 | 93 | 024-5140 | BALL BEARING | \$2.65 |
| 31 | 031-5140 | A-R-LEVER | \$0.35 | 94 | 024-5140 | BALL BEARING | \$2.65 |
| 32 | 032-0110 | LEVER PIN | \$0.35 | 146 | 146-5140 | SPRING HOLDER | \$0.35 |
| 35 | 035-5140 | A-R-CLAW ADJ S/P | 0.35 | 147 | 147-5140 | BAIL S/P LINK | \$0.35 |
| 36 | 036-5140 | DRIVE GEAR | 2.15 | | | | |

PARTS LIST FOR SILSTA MX30B

* When ordering parts for your Silstar reel, be sure to include the following:

- 1) Complete Model Number and Letter. Example: BT 80 B
- 2) Specify Color for FX, BT,CX,ER,EC series reels.