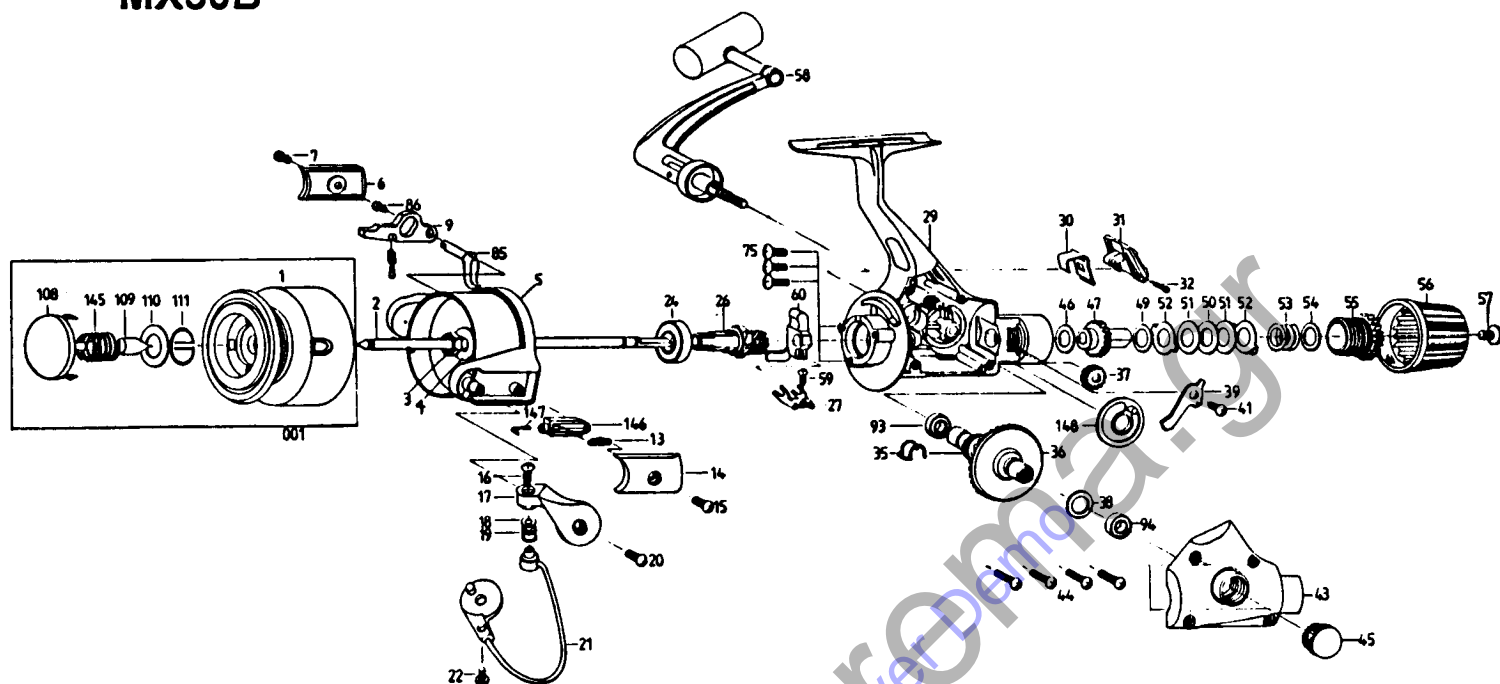


MX50B



REF.NO	PART NO.	DESCRIPTION	PRICE	REF. NO.	PART NO.	DESCRIPTION	PRICE
1	001-5143	SPOOL ASSY	\$4.25	37	037-5121	O/S GEAR	\$0.35
2	002-5142	MAIN SHAFT ASSY	\$1.10	38	038-0310	DRIVE GEAR ADJ W/S	\$0.35
3	003-0210	ROTOR NUT	\$0.35	39	039-5142	A-R-CLAW	\$0.35
4	004-0110	ROTOR W/S	\$0.35	41	041-4214	A-R-CLAW S/C	\$0.35
5	005-5142	ROTOR	\$3.35	43	043-5143	BODY COVER ASSY	\$1.75
6	006-5142	BAIL HOLDER C/O	\$0.35	44	044-3010	BODY C/O S/C	\$0.35
7	007-4211	BAIL HOLDER C/O S/C	\$0.35	45	045-0310	HANDLE S/C CAP	\$0.35
8	008-5140	BAIL KICK LEVER S/P	\$0.35	46	038-0310	CLICK METAL W/S	\$0.35
9	009-5142	BAIL K/L	\$0.60	47	047-5142	CLICK METAL	\$0.35
13	013-5140	BAIL S/P	\$0.35	49	049-5142	B W/S	\$0.35
14	014-5142	ARM LEVER C/O	\$0.35	50	050-5123	D W/S	\$0.35
15	007-4211	ARM LEVER C/O S/C	\$0.35	51	051-5123	C W/S	\$0.35
16	016-2610	L-SLIDER S/C	\$0.35	52	052-5142	A W/S	\$0.35
17	017-5142	ARM LEVER	\$0.35	53	053-4213	COIL S/P	\$0.35
18	018-4219	L-ROLLER COLLAR	\$0.35	54	054-0310	PRESSURE W/S	\$0.35
19	019-1810	L-ROLLER	\$0.90	55	055-5142	PRESSURE	\$0.35
20	020-4211	ARM LEVER S/C	\$0.35	56	056-5142	DRAG KNOB	\$0.90
21	021-5142	BAIL ASSY	\$2.15	57	057-5142	DRAG KNOB S/C	\$0.35
22	020-4211	BAIL HOLDER S/C	\$0.35	58	058-5142	HANDLE ASSY	\$4.05
24	024-5142	BALL BEARING	\$3.10	59	059-0110	RETAINER S/C	\$0.35
25	025-4214	RATCHET	\$0.35	60	060-5142	O/S SLIDE	\$0.35
26	026-5142	PINION	\$2.65	75	075-5142	BEARING S/C	\$0.35
27	027-5142	RETAINER	\$0.35	85	085-5142	KICK LEVER	\$0.75
29	029-5143	BODY ASSY	\$3.25	86	086-5140	KICK LEVER S/C	\$0.35
30	030-5142	LEAF S/P	\$0.35	93	024-5142	BALL BEARING	\$2.65
31	031-5140	A-R-LEVER	\$0.35	94	024-5142	BALL BEARING	\$2.65
32	032-0110	LEVER PIN	\$0.35	146	146-5142	S/P HOLDER	\$0.35
35	030-4213	A-R-CLAW ADJ S/P	\$0.35	147	147-5142	BAIL S/P LINK	\$0.35
36	036-5142	DRIVE GEAR	\$2.15	148	148-5142	IDLE GEAR	\$0.35

PARTS LIST FOR SILSTAR : MX50B

* When ordering parts for your Silstar reel, be sure to include the following:

- 1) Complete Model Number and Letter. Example: BT 80 B
- 2) Specify Color for FX, BT, CX, ER, EC series reels.