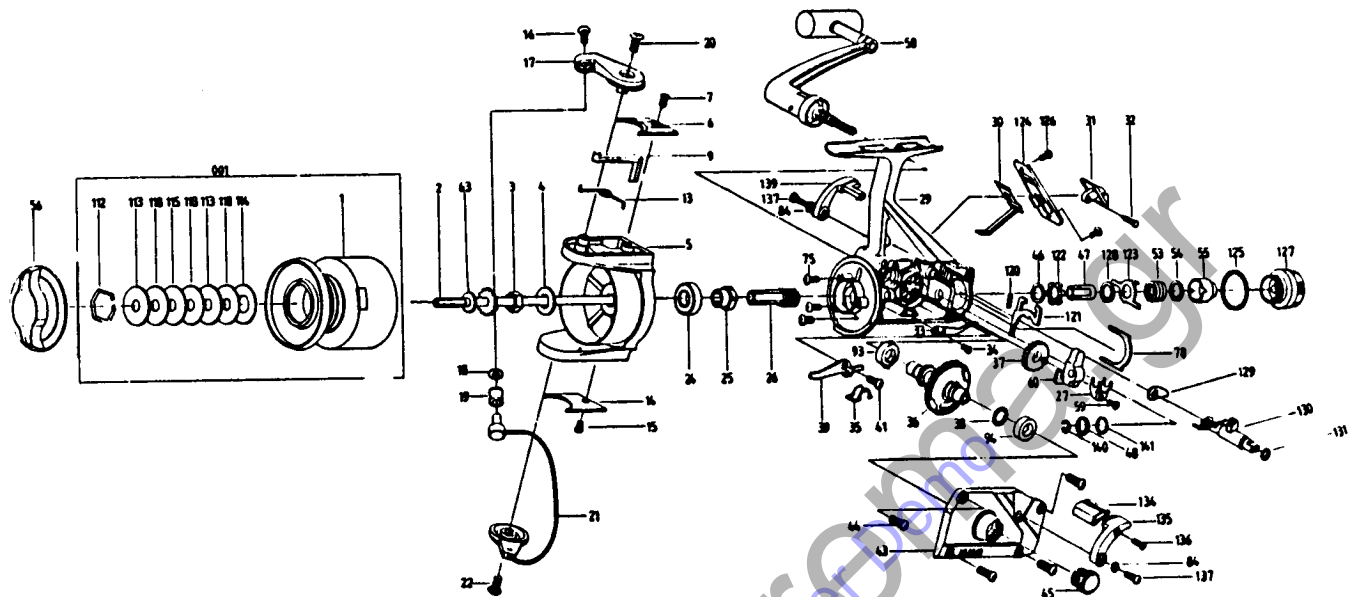


RXB40M (Manual Trip)



REF.NO	PART NO.	DESCRIPTION	PRICE	REF. NO	PART NO.	DESCRIPTION	PRICE
1	001-6111	SPOOL ASSY	\$6.50	48	046-6111	W/S	\$0.35
2	002-6111	MAIN SHAFT ASSY	\$2.90	47	047-6111	CLICK METAL	\$0.35
3	003-0210	ROTOR NUT	\$0.35	48	048-6111	CLICK GEAR	\$0.35
4	004-6111	ROTOR W/S	\$0.35	53	063-6111	COIL S/P	\$0.35
5	006-6111	ROTOR	\$2.65	64	064-6111	PRESSURE W/S	\$0.35
6	006-4225	B/H C/O	\$0.35	55	055-6111	PRESSURE	\$1.10
7	007-4211	B/H C/O S/C	\$0.35	66	066-6111	DRAG KNOB ASSY	\$1.75
9	009-4217	BAIL K/L	\$0.35	68	058-4227	HANDLE ASSY	\$4.00
13	013-4218	BAIL S/P	\$0.35	59	059-0110	S/C	\$0.35
14	006-4225	ARM LEVER C/O	\$0.35	60	060-6111	O/S SLIDER	\$0.60
15	007-4211	ARM LEVER C/O S/C	\$0.35	75	075-4214	BEARING PLATE S/C	\$0.35
16	016-0410	L-SLIDER S/C	\$0.35	78	078-6111	RETAINER	\$0.35
17	017-4211	ARM LEVER	\$0.35	84	084-6111	W/S	\$0.35
18	018-4219	L-ROLLER COLLAR	\$0.35	93	024-6111	BEARING	\$0.35
19	019-1810	L-ROLLER	\$0.75	94	024-6111	BEARING	\$0.35
20	057-0710	ARM LEVER S/C	\$0.35	120	120-6111	CLUTCH S/P	\$0.35
21	021-4236	BAIL ARM	\$1.45	121	121-6111	CLUTCH	\$0.35
22	057-0710	B/H S/C	\$0.35	122	122-6111	FE RATCHET	\$0.35
24	024-6111	BALL BEARING	\$3.10	123	123-6111	A W/S	\$0.35
25	025-4214	RATCHET	\$0.35	124	124-6111	A-R-LEVER C/O	\$0.60
26	026-6111	PINION	\$1.60	125	125-6111	DRAG RING	\$0.35
27	027-6111	RETAINER	\$0.35	126	126-6111	S/C	\$0.35
29	029-6111	BODY ASSY	\$4.90	127	127-6111	TENSION DRAG	\$1.10
30	030-6111	LEAF S/P	\$0.35	128	128-6111	W/S	\$0.35
31	031-6111	A-R-LEVER	\$0.35	129	129-6111	CLUTCH CAM	\$0.35
32	032-6111	PIN	\$0.35	130	130-6111	CLUTCH ARM ASSY	\$0.60
33	033-6111	CLICK CLAW	\$0.35	131	131-6111	CLUTCH ARM W/S	\$0.35
34	007-4214	CLICK CLAW S/C	\$0.35	134	134-6111	BAIT FE BRIDGE	\$0.35
35	030-4213	A-R-CLAW ADJ S/P	\$0.35	135	135-6111	BAIT FE LEVER (L)	\$0.35
36	036-6111	DRIVE GEAR ASSY	\$2.80	136	136-6111	BRIDGE S/C	\$0.35
37	037-6111	O/S GEAR	\$0.35	137	137-6111	LEVER S/C	\$0.35
38	038-4211	DRIVE GEAR ADJ W/S	\$0.35	139	139-6111	BAIT FE LEVER (R)	\$0.35
39	039-6111	A-R-CLAW	\$0.35	140	140-6111	RETAINER	\$0.35
41	041-4214	A-R-CLAW S/C	\$0.35	141	141-6111	W/S	\$0.35
43	043-6111	BODY C/O	\$1.60	142	142-6111	CLUTCH ARM S/P	\$0.35
44	044-3010	BODY C/O S/C	\$0.35	143	143-6111	CLUTCH ARM P/L S/P	\$0.35
45	046-0310	HANDLE S/C CAP	\$0.35				

PARTS LIST FOR SILSTAR : RXB40M

- * When ordering parts for your Silstar reel, be sure to include the following:
- 1) Complete Model Number and Letter. Example: BT 80 B
 - 2) Specify Color for FX, BT,CX,ER,EC series reels.