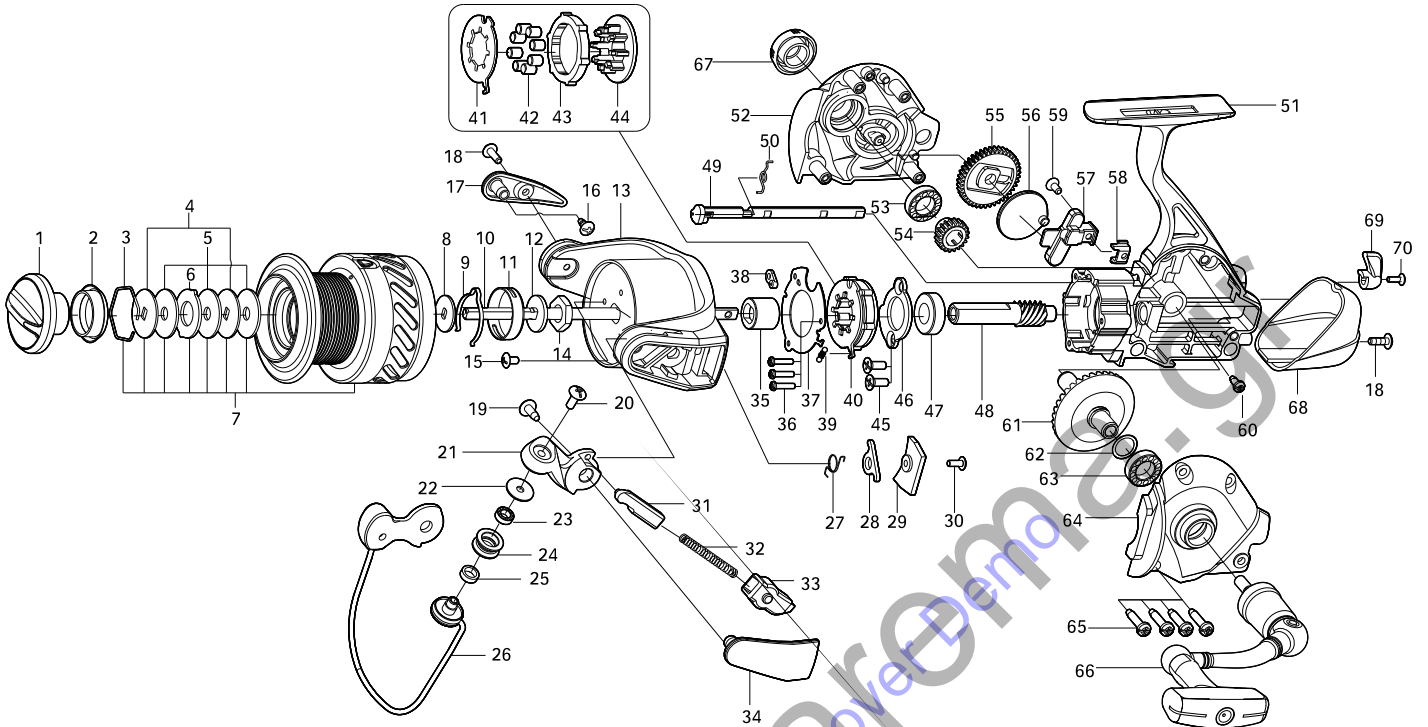




SPINNING REEL

SCRAMBLER

ST3500 / ST4000



Key NO.	Parts No.	Parts name	Key NO.	Parts No.	Parts name
1	2YD-058-04	DRAG KNOB ASSEMBLY	38	2F8-079-01	ANTI-REVERSE SPRING ANCHOR
2	2E9-016-01	PROOF WATER RING	39	2Q2-016-01	SPRING
3	2E4-009-01	DRAG WASHER RETAINER	40	2YZ-017-01	ONE-WAY CLUTCH BEARING ASSEMBLY
4	2W2-005-01	KEY WASHER	41	2F2-027-01	ANTI-REVERSE PAWL
5	2W1-052-01	050-187 WASHER	42	2Z3-003-01	ROLLER
6	2W3-003-01	EARED WASHER	43	2A3-025-01	ANTI-REVERSE RATCHET
7	2YT-301-03	SPOOL TOTAL ASSEMBLY	44	2F8-082-01	CAGE
8	2W2-023-01	KEY WASHER	45	2E2-011-02	F30M-080 SCREW
9	2L3-015-01	CLICK LEAF SPRING	46	2F5-203-01	BEARING RETAINER
10	2M3-093-01	MAIN SHAFT	47	2Z1-005-05	816-5 BALL BEARING
11	2F8-019-03	CLICK LEAF SPRING HOLDER	48	2G2-095-01	PINION GEAR
12	2W2-024-01	KEY WASHER	49	2A2-027-01	ANTI-REVERSE CAM
13	2R1-109-01	ROTOR	50	2Q3-009-01	ANTI-REVERSE SPRING
14	2E3-002-01	ROTOR NUT	51	2YB-163-03	BODY ASSEMBLY
15	2E2-006-03	B26M-050 SCREW	52	2B2-065-05	BODY COVER(R)
16	2E1-015-04	B26-060 SCREW	53	2Z1-023-05	814-4 BALL BEARING
17	2R4-138-01	BAIL TRIP COVER	54	2G3-069-01	DRIVE PINION
18	2E2-005-05	B26M-080 SCREW	55	2G3-079-01	OSCILLATING GEAR
19	2E1-037-03	B30-080 SCREW	56	2M2-014-01	OSCILLATING CAM
20	2E2-090-02	B30M-110 SCREW	57	2M1-047-01	OSCILLATING SLIDER
21	2R2-042-06	BAIL ARM	58	2E5-039-01	OSCILLATING SLIDER RETAINER
22	2C1-034-01	LINE ROLLER COLLAR	59	2E2-009-02	F23M-060 SCREW
23	2Z1-012-05	407-2.5 BALL BEARING	60	2E1-060-01	A26-060 SCREW
24	2R6-020-01	LINE ROLLER	61	2G1-099-01	DRIVE GEAR
25	2C2-032-01	LINE ROLLER BUSH	62	2W1-019-00	071-103 WASHER
26	2YL-119-01	BAIL ASSEMBLY	63	2Z1-039-05	713-4 BALL BEARING
27	2Q3-056-01	BAIL TRIP LEVER SPRING	64	2B2-066-05	BODY COVER(L)
28	2R5-107-01	BAIL TRIP LEVER	65	2E1-006-04	A30-130 SCREW
29	2F5-281-01	ROTOR COVER	66	2YH-279-01	HANDLE TOTAL ASSEMBLY
30	2E2-051-03	B23M-060 SCREW	67	2H6-015-03	HANDLE SCREW CAP
31	2R5-120-01	BAIL TRIP SHAFT	68	2F5-276-01	REAR COVER
32	2Q1-079-01	BAIL SPRING	69	2A1-022-05	ANTI-REVERSE LEVER
33	2C2-098-01	BAIL SPRING GUIDE	70	2E2-013-04	B20M-060 SCREW
34	2R4-137-01	BAIL SPRING COVER	ST4000	SPECIAL PARTS	
35	2A4-026-01	ONE-WAY CLUTCH INNER TUBE	7	2YT-302-03	SPOOL TOTAL ASSEMBLY
36	2E2-013-02	B20M-060 SCREW	9	2L3-014-01	CLICK LEAF SPRING
37	2F5-189-01	ROLLER CLUTCH RETAINER	11	2F8-013-02	CLICK LEAF SPRING HOLDER