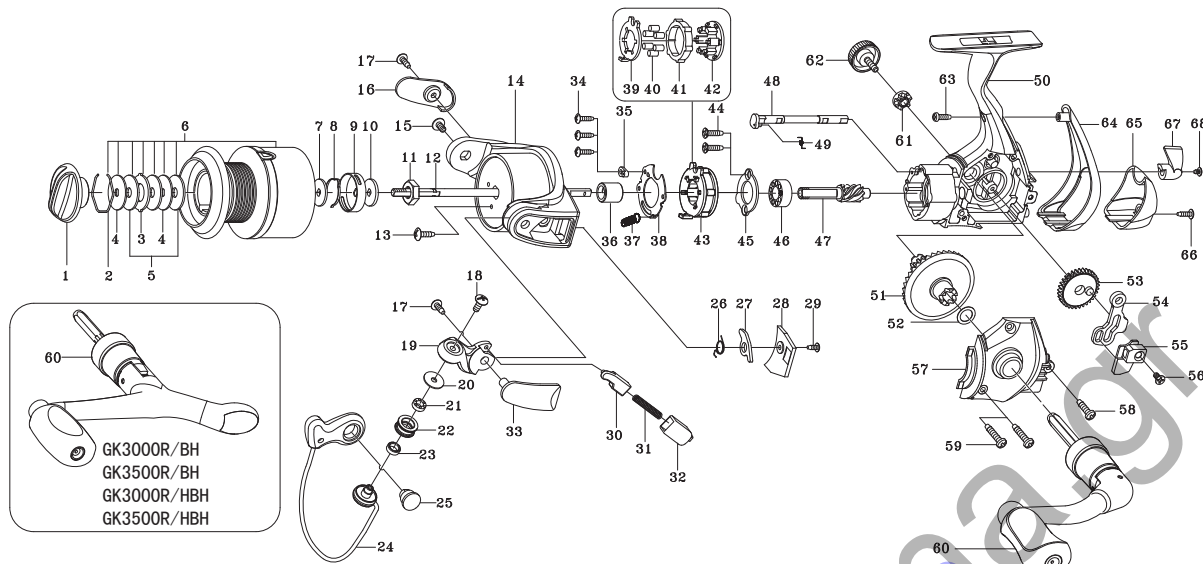




GK3000R / 3000R/H / 3000R/BH / 3000R/HBH GK3500R / 3500R/H / 3500R/BH / 3500R/HBH



Key NO.

Parts No.

Parts name

1	2YD-024-03	DRAG KNOB ASSEMBLY
2	2E4-009-01	DRAG WASHER RETAINER
3	2W3-014-01	EARED WASHER
4	2W2-013-01	KEY WASHER
5	2W1-052-01	050-187 WASHER
6	2YT-205-09	SPOOL TOTAL ASSEMBLY
7	2W2-020-01	KEY WASHER
8	2L3-014-01	CLICK LEAF SPRING
9	2F8-013-01	CLICK LEAF SPRING HOLDER
10	2W2-015-01	KEY WASHER
11	2E3-007-01	ROTOR NUT
12	2M3-056-01	MAIN SHAFT
13	2E1-036-01	B26-040 SCREW
14	2R1-070-02	ROTOR
15	2E2-004-01	B30M-060 SCREW
16	2R4-094-02	BAIL TRIP COVER
17	2E1-016-02	B26-080 SCREW
18	2E2-018-01	B30M-080 SCREW
19	2R2-031-01	BAIL ARM
20	2C1-034-01	LINE ROLLER COLLAR
21	2Z1-012-05	407-2.5 BALL BEARING
22	2R6-020-01	LINE ROLLER
23	2C2-032-01	LINE ROLLER BUSH
24	2YL-081-01	BAIL ASSEMBLY
25	2E3-019-01	BAIL HOLDER NUT
26	2Q3-056-01	BAIL TRIP LEVER SPRING
27	2R5-089-01	BAIL TRIP LEVER
28	2F5-176-02	ROTOR COVER
29	2E1-020-02	B22-055 SCREW
30	2R5-090-01	BAIL TRIP SHAFT
31	2Q1-023-01	BAIL SPRING
32	2C2-069-01	BAIL SPRING GUIDE
33	2R4-095-02	BALL SPRING COVER
34	2E1-029-01	B22-090 SCREW
35	2F8-079-01	ANTI-REVERSE SPRING ANCHOR
36	2A4-021-01	ONE-WAY CLUTCH INNER TUBE
37	2Q2-016-01	SPRING
38	2F5-192-01	ROLLER CLUTCH RETAINER
39	2F2-028-01	ANTI-REVERSE PAWL
40	2Z3-001-01	ROLLER
41	2A3-008-01	ANTI-REVERSE RATCHET
42	2F8-078-01	CAGE
43	2YZ-014-01	ONE-WAY CLUTCH BEARING ASSEMBLY
44	2E1-067-01	F26-090 SCREW
45	2F5-193-01	BEARING RETAINER
46	2Z1-003-05	714-5 BALL BEARING
47	2G2-077-01	PINION GEAR
48	2A2-048-01	ANTI-REVERSE CAM
49	2Q3-009-01	ANTI-REVERSE SPRING
50	2YB-150-01	BODY ASSEMBLY
51	2G1-048-02	DRIVE GEAR
52	2W1-035-00	080-105 WASHER
53	2G3-041-01	OSCILLATING GEAR
54	2M2-006-01	OSCILLATING SLIDER CRANK
55	2M1-033-02	OSCILLATING SLIDER

Key NO.

Parts No.

Parts name

56	2E2-009-01	F23M-060 SCREW
57	2YC-095-01	BODY COVER ASSEMBLY
58	2E1-055-01	A26-100 SCREW
59	2E1-031-01	A26-140 SCREW
60	2YH-241-01	HANDLE TOTAL ASSEMBLY
61	2C3-042-01	HANDLE SCREW SLEEVE
62	2H6-001-10	HANDLE SCREW CAP
63	2E1-045-01	A26-080 SCREW
64	2F5-187-02	REAR COVER A
65	2F5-188-02	REAR COVER B
66	2E1-048-01	B22-080 SCREW
67	2A1-025-03	ANTI-REVERSE LEVER
68	2E2-013-02	B20M-060 SCREW
GK3000R/H	SPECIAL PARTS	
6	2YT-205-10	SPOOL TOTAL ASSEMBLY
47	2G2-078-01	PINION GEAR
51	2G1-061-02	DRIVE GEAR
GK3000R/BH	SPECIAL PARTS	
60	2YH-243-01	HANDLE TOTAL ASSEMBLY
GK3000R/HBH	SPECIAL PARTS	
6	2YT-205-10	SPOOL TOTAL ASSEMBLY
47	2G2-078-01	PINION GEAR
51	2G1-061-02	DRIVE GEAR
60	2YH-243-01	HANDLE TOTAL ASSEMBLY
GK3500R	SPECIAL PARTS	
6	2YT-206-09	SPOOL TOTAL ASSEMBLY
14	2R1-071-02	ROTOR
24	2YL-082-01	BAIL ASSEMBLY
27	2R5-091-01	BAIL TRIP LEVER
28	2F5-179-02	ROTOR COVER
GK3500R/H	SPECIAL PARTS	
6	2YT-206-10	SPOOL TOTAL ASSEMBLY
14	2R1-071-02	ROTOR
24	2YL-082-01	BAIL ASSEMBLY
27	2R5-091-01	BAIL TRIP LEVER
28	2F5-179-02	ROTOR COVER
47	2G2-078-01	PINION GEAR
51	2G1-061-02	DRIVE GEAR
GK3500R/BH	SPECIAL PARTS	
6	2YT-206-09	SPOOL TOTAL ASSEMBLY
14	2R1-071-02	ROTOR
24	2YL-082-01	BAIL ASSEMBLY
27	2R5-091-01	BAIL TRIP LEVER
28	2F5-179-02	ROTOR COVER
60	2YH-243-01	HANDLE TOTAL ASSEMBLY
GK3500R/HBH	SPECIAL PARTS	
6	2YT-206-10	SPOOL TOTAL ASSEMBLY
14	2R1-071-02	ROTOR
24	2YL-082-01	BAIL ASSEMBLY
27	2R5-091-01	BAIL TRIP LEVER
28	2F5-179-02	ROTOR COVER
47	2G2-078-01	PINION GEAR
51	2G1-061-02	DRIVE GEAR
60	2YH-243-01	HANDLE TOTAL ASSEMBLY